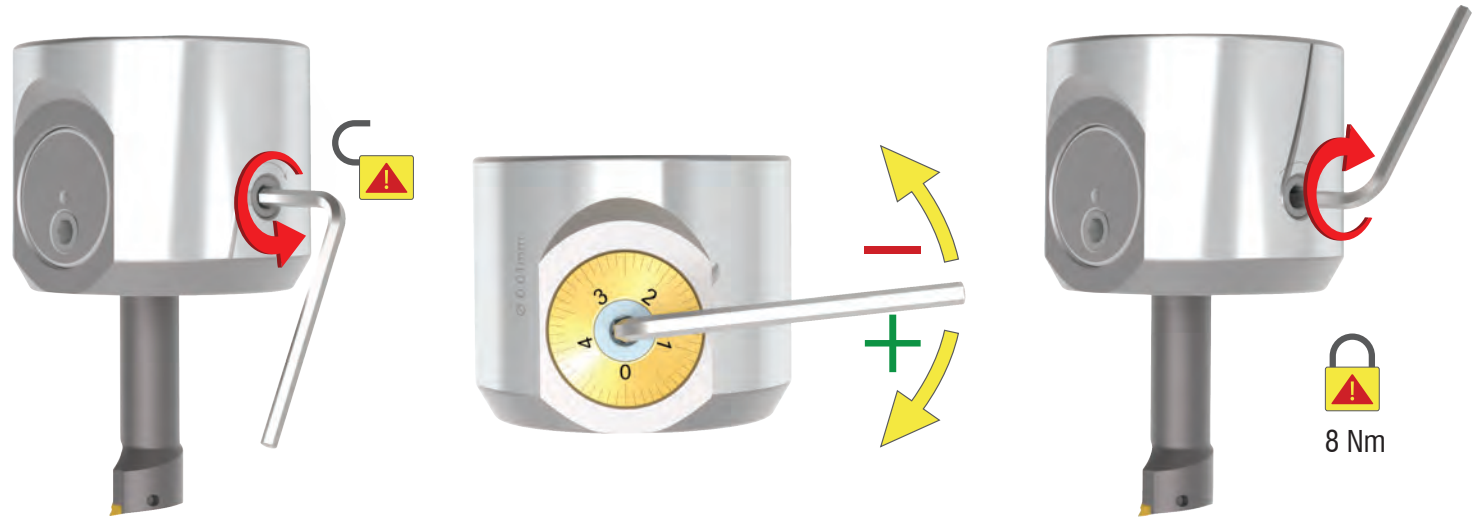
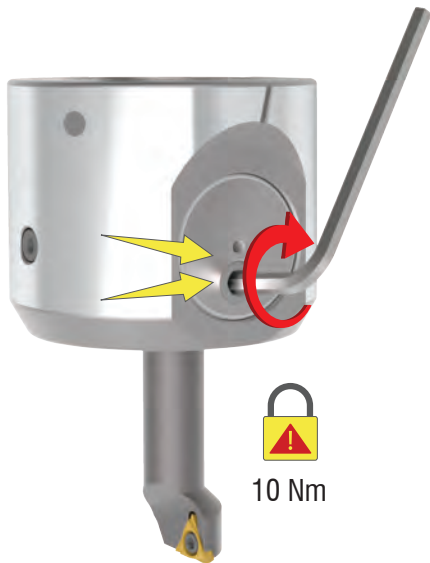




diameter adjustment



assembling boring bar



scale / vernier

